

Specifications of PVDF Module (STERAPORE™ 5500 Series)

[Table of Specifications]

Model No.	Element Model No.	Number of Elements (pcs)	Membrane Surface Area (m ²)	Dry Weight (kg)	Minimum water depth (m)
55M0060FF	55E0006SM	10	60	120	1.8
55M0120FF		20	120	190	1.8
55M0180FF		30	180	260	1.8
55M0150FF	55E0015SA	10	150	350	2.3
55M0300FF		20	300	500	2.3
55M0450FF		30	450	650	2.3
55M0600FF		40	600	850	2.3
55M0250FF	55E0025SA	10	250	400	3.0
55M0500FF		20	500	600	3.0
55M0750FF		30	750	800	3.0
55M1000FF		40	1,000	1,000	3.0
55M1500FF		60	1,500	1,550	3.0

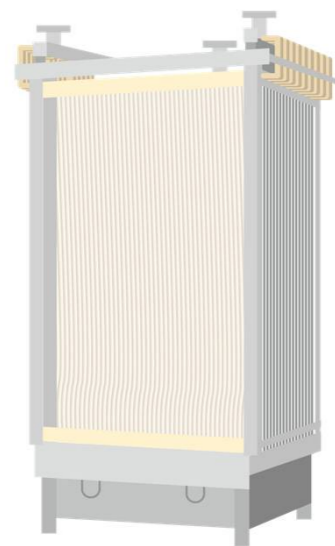
[Table of Dimensions]

Model No.	Element Model No.	Dimensions (mm)			Connection		Reference drawing
		Depth	Width	Height	Permeate Nozzle	Air Nozzle	
		A	B	C	D	E	
55M0060FF	55E0006SM	642	855	1,922	R2	R2 1/2	①
55M0120FF		642	1,295	1,922	R2	R2 1/2	
55M0180FF		642	1,735	1,922	R2	R2 1/2	
55M0150FF	55E0015SA	1,524	940	2,098	65A	80A	②
55M0300FF		1,524	1,390	2,098	65A	80A	
55M0450FF		1,524	1,870	2,098	65A	80A	
55M0600FF		1,524	2,320	2,098	65A	80A	
55M0250FF	55E0025SA	1,524	940	2,798	65A	80A	
55M0500FF		1,524	1,390	2,798	65A	80A	
55M0750FF		1,524	1,870	2,798	65A	80A	
55M1000FF		1,524	2,320	2,798	65A	80A	
55M1500FF		1,524	3,416	2,798	65A	80A	

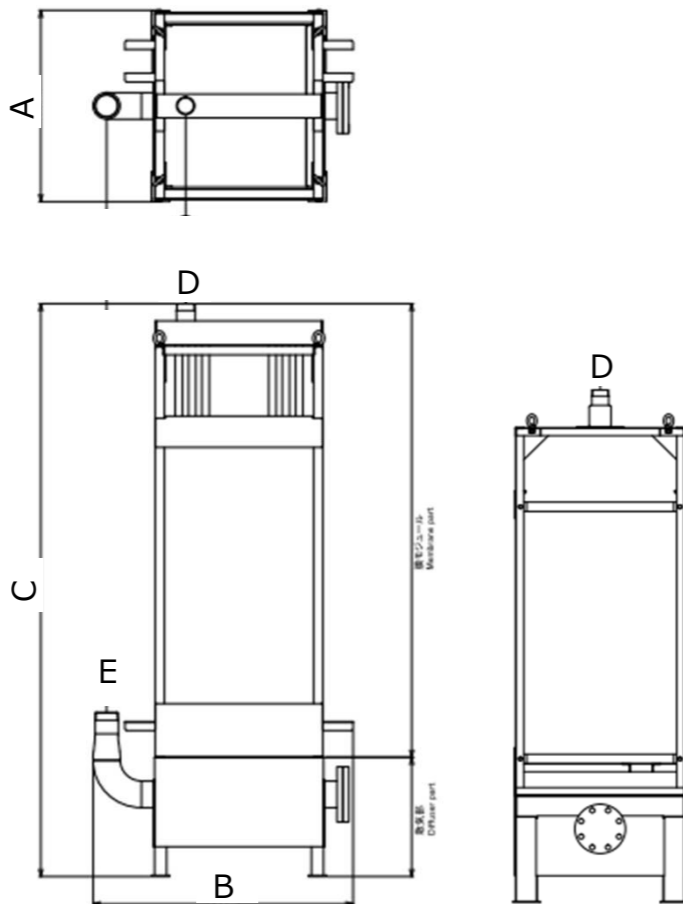
* : Please contact us for more information.

Product specifications and shape described herein are subject to change without notice.

<Illustration of Module>



<Reference drawing ①>



<Reference drawing ②>

